

Coin Mechanism Instructions

Only a screwdriver is required to change vend prices.

1. Remove the Empty Lock Rod (2100-127) by grasping the top of the Rod in your left hand, bowing the center of the Rod outward and pulling it to the left to disengage it from the slot in the side of the Magazine Assembly (2100-D1).
2. Remove the 3 screws holding the Coin Mechanism (2100-D101) to the Magazine Assembly.
3. Pull the Coin Mechanism forward slightly to disengage its rear flange from the locating slot at the rear of the cabinet. Move the unit to the left to disengage the Actuating Pin on the Pull Rod (2100-31) from the slot in the Actuating Arm (2100-12) on the side of the Magazine.
4. Look at the Coin Gate (2100-A112) at the bottom of the Coin Mechanism. A coin-stop screw (#8-32 x 1/2") is inserted in one of the 3 stop positions. The price decal indicates the proper stop position for vending at 50¢, 75¢ or \$1.00. For vending at 25¢, insert the #6 self tapping screw in the hole under the Coin Gate (fold open the Gate to expose the hole).
5. Re-install the Coin Mechanism, making sure to engage the Actuating Pin in the slot of the Actuating Arm in the side of the Magazine. Enter the locating slot at the rear of the cabinet and secure the unit with the 3 screws.
6. With several of the top shelves down (or all of them) re-install the Empty Lock Rod by first inserting its lower end in the hole of the Empty Lock Rod Bracket (2100-106) and then inserting the top in the slot in the Magazine Frame. The Rod must be bowed outward in the center to insert it in the Magazine. As an option, the Empty Lock Rod's lower end can be inserted in the Bracket (2100-106) before the Coin Mechanism is installed.

If you need to drop the shelves without going through the effort of inserting quarters, simply push the Latch Wire (under each shelf) with your fingernail or any flat tool, such as a screwdriver.

Customer Service

Should you need repair, parts may be sent to:

Laurel Metal Products
3500 W. Touhy Ave.
Lincolnwood, IL 60712

Please include phone number and return address.

Limited Warranty

Laurel Metal Products warrants that the goods described in this warranty are free from defects in workmanship and materials for the period of six (6) months.

For breach of the express warranty and any implied warranty on this product, you are limited to the following damages:

If within six (6) months from the date of purchase, this product fails due to a defect in materials or workmanship, Laurel Metal will repair or replace it free of charge. In no event shall Laurel Metal be liable for incidental or consequential damages. Laurel Metals' liability for any claims arising out of this warranty shall not exceed the purchase price of the product.

NOTE: some states do not allow the exclusion or limitation of incidental or consequential damages, so the above limitation or exclusion may not apply to you.

This warranty does not cover damage resulting from accident or from misuse or alteration of the product.

The term of this warranty begins on the date the product is purchased by you, and continues for a period of six (6) months from that date.

To obtain performance of any obligation under this warranty, you must return the complete product prepaid, together with a description of the problem, approximate date of purchase, your name, address and telephone number, to the address listed above.

This warranty gives you specific legal rights, and you may also have other rights that vary from state to state.

This warranty covers any mechanical vender manufactured by Laurel Metal Products.

LAUREL
METAL PRODUCTS INCORPORATED

3500 W. Touhy Ave.
Lincolnwood, IL 60712
Toll Free (888) 528-7358
(847) 674-0064
Fax # (847) 674-0094
www.laurelmetal.com

MODEL 2100 Drop Shelf Vender



Operation & Service Manual

Installation

The vender can be mounted on any vertical surface without removing any part of the unit. Any standard fastener not larger than 3/8" diameter such as wood screws, expansion bolts, machine bolts or carriage bolts can be used depending on the type of wall. The wall section selected for installation should be sturdy.

The top two fasteners should be loosely installed in the wall with the heads of the fasteners projecting out approximately 1/4" from the wall. Raise the top shelf of the magazine into its vend position to expose one of the two top mounting holes in the back of the cabinet. The keyhole shape of the mounting holes will permit you to hang the cabinet on the two fasteners. While in this unsecured position, mark the bottom mounting holes on the wall and remove the cabinet. Install the bottom two fasteners and secure the cabinet to the wall using washers under the heads of all fasteners.

Loading

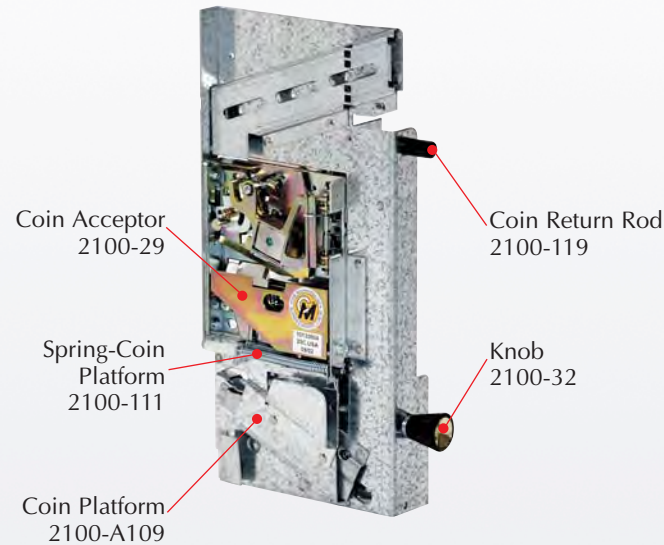
The shelves can be easily and quickly reset into the vend position (horizontal) by running the index finger of your right hand up the right side of the shelves. This "fanning" will take only seconds to reset all 24 shelves.

The top shelf has an automatic empty device that will cause the coin mechanism to reject all coins when the vender is empty. Therefore, it is extremely important to load from the top shelf down if the vender will not be fully loaded during restocking.

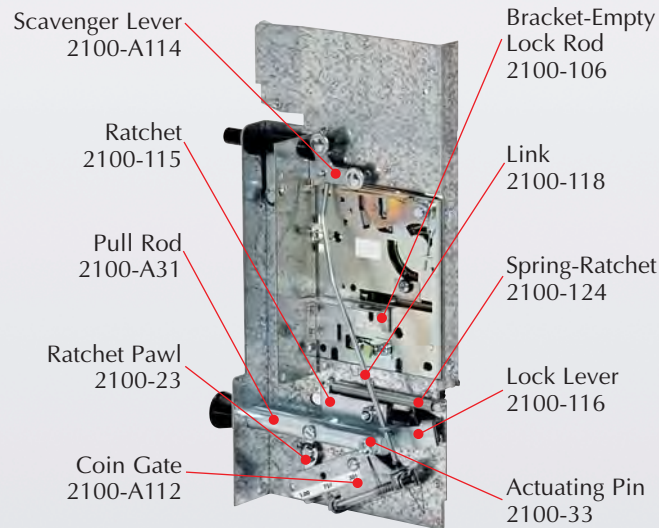
Coin Mechanism Features

The standard coin mechanism in the vender accepts U.S. quarters and will be factory set to vend at 50¢, unless otherwise requested. Instructions for changing the price setting are given under the heading "Coin Mechanism Instructions". Whenever the vend price is set for 50¢, 75¢ or \$1.00, a customer can retrieve his quarters prior to vending by pushing the Coin Return Button. There is no coin return function when the vender is set at 25¢; pushing the Coin Return Button will, however, clear all bent or steel slugs out of the Coin Acceptor.

Model 2100 Coin Mechanism Part #2100-D101

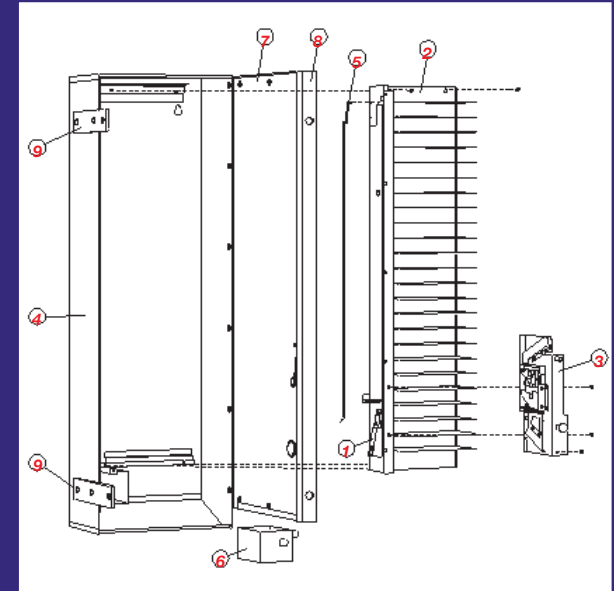


Front View of Coin Mechanism



Rear View of Coin Mechanism

Model 2100 Exploded View



Number	Part #	Description
1	2100-12	Actuating Arm
2	2100-D1	Magazine Assembly
3	2100-D101	Coin Mechanism
4	2100-A45	Cabinet
5	2100-127	Empty Lock Rod
6	300-A69	Coin Box w/Lock
7	2100-B125	Door w/Hinge
8	2100-63	Security Frame
9	2100-64	Side Bar

Model 2100-D Diaper Vender

Part #	Description
2100-55D-U	Door Lock - Upper - Key #2101
2100-55D-L	Door Lock - Lower - Key #2101
2100-59D-U	Door Lock - Upper - Key #2345
2100-59D-L	Door Lock - Lower - Key #2345
2100-137	Key - Coin Box - Key #ES203
2100-137D	Key - Diaper Vender Door - Key #2101
2100-139D	Key - Diaper Vender Door - Key #2345